

5112425 **SL-PS-600-24-1** Regulated Power Supply with Parallel Function

Features:

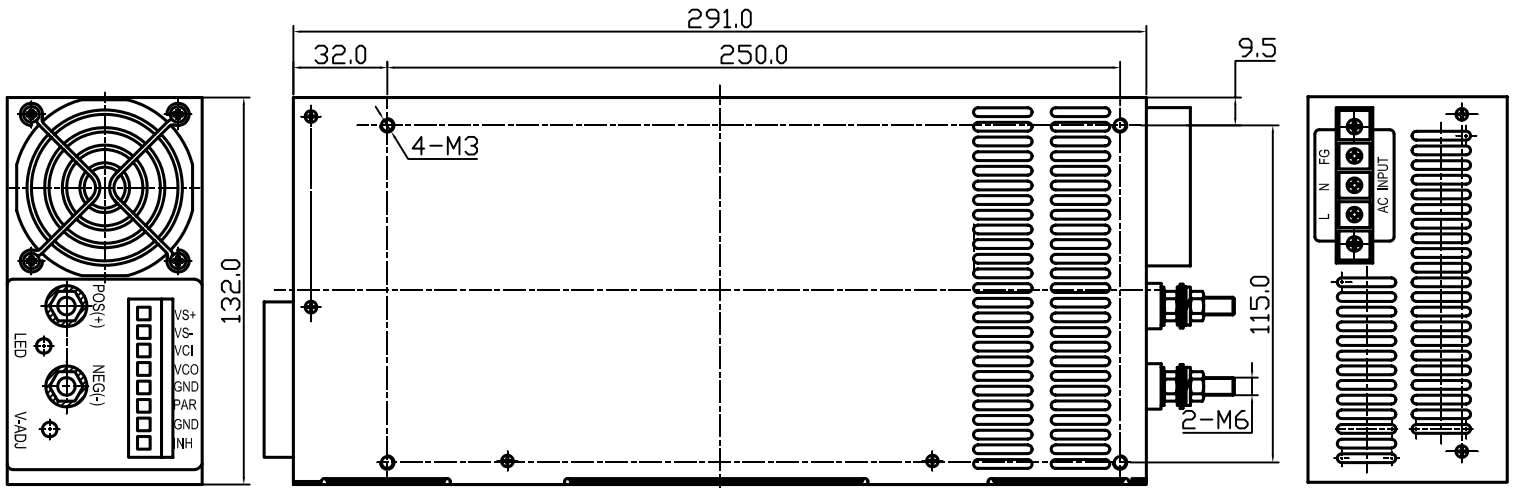
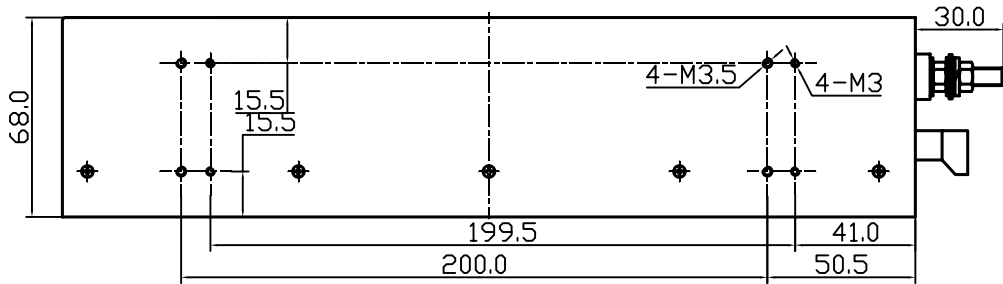
- High reliability, low ripple
- Universal AC input/ full range
- Protections: Short circuit/ Over load/ Over voltage/ Over temperature
- Built-in ON-OFF control and remote sense function
- With parallel function
- Can adjust from 20%~100% output voltage by external control 1-5V
- Focred air cooling by built-in DC fan
- Dimensions: 291*132*68mm (L*W*H)



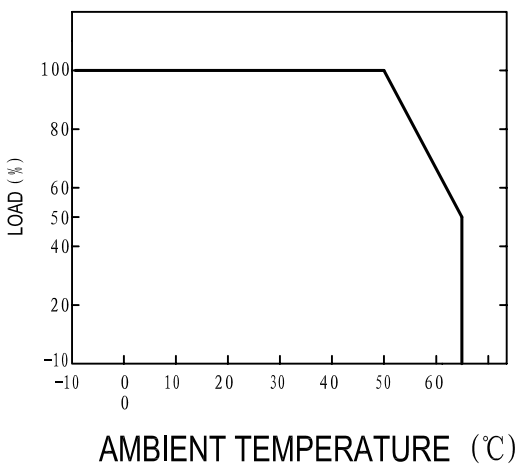
MODEL		5V	12V	13.5V	PS-600-24-1 24V	28V	48V
OUTPUT	DC VOLTAGE	5V	12V	13.5V	24V	28V	48V
	VOLTAGE TOLERANCE	±1.5%	±1%	±1%	±1%	±1%	±1%
	RATED CURRENT	100A	50A	44A	25A	21A	12A
	CURRENT RANGE	0-100A	0-50A	0-44A	0-25A	0-21A	0-12A
	RATED POWER	500W	600W	600W	600W	600W	600W
	RIPPLE & NOISE	100mVp-p	120mVp-p	140mVp-p	240mVp-p	280mVp-p	480mVp-p
	DC ADJUSTMENT RANGE	Can adjust from 20%~100% output voltage by external control 1-5V					
	SETUP, RISE, HOLD TIME	800ms, 50ms, 16ms at full load					
INPUT	VOLTAGE RANGE	90~130VAC / 180~260 VAC 47~63 Hz; selected by switch 260~370VDC					
	AC CURRENT	11 A/115 VAC 7.0A/ 230 VAC					
	EFFICIENCY	77%	80%	81%	85%	85%	87%
	INRUSH CURRENT	60A/230V					
	LEAKAGE	3.5 mA/240VAC					
PROTECTION	OVER LOAD	101~115%	110%~135%				
		Protection type: Current limiting, delay shut down o/p voltage, re-power on to recover					
	OVER VOLTAGE	110%~135%		Protection type: Shut dwn o/p voltage, re-power on to recover			
	OVER TEMP. TSW1 (Power transistor) When temp. >100 °C, shut down o/p voltage, re-power on to recover						
ENVIRONMENT	WORKING TEMP., HUMIDITY	-10°C~+65°C, 20%~90 %RH					
	STORAGE TEMP., HUMIDITY	-20°C~+85°C, 10%~95 %RH					
	VIBRATION	10~200Hz, 2G 10min./1cycle, period for 60min, each along X, Y, Z axes					
SAFETY	WITHSTAND VOLTAGE	I/P-O/P, I/P-FG:1500VAC					
	ISOLATION RESISTANCE	I/P-O/P, I/P-FG, 100M Ohms / 500VDC					
STANDARD	SAFETY STANDARD	Design refer to UL1950,CSA22.2,IEC60950					
	EMC STANDARD	Design refer to FCC Part 15 Class A					
OTHERS	WEIGHT	2.3Kg;					
	PACKING	8pcs/24.0kg/CARTON					
NOTE	<ol style="list-style-type: none"> All parameters NOT specially mentioned are measured at 230VAC input, rated load and 25°C of ambient temperature. Ripple & noise are measured at 20MHz of bandwidth by using a 12" twisted pair-wire terminated with a 0.1μ & 47μ parallel capacitor. Tolerance: includes set up tolerance, line regulation and load regulation. The power supply is considered a component which will be installed into a final equipment. The final equipment must be re-confirmed that it still meets EMC directives. 						

600W With Parallel Function

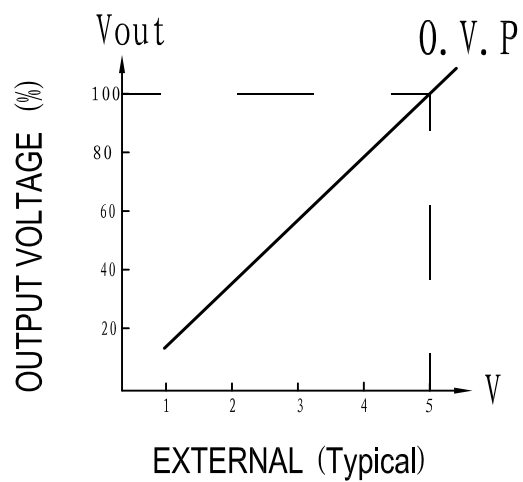
■ Outline and Dimension:



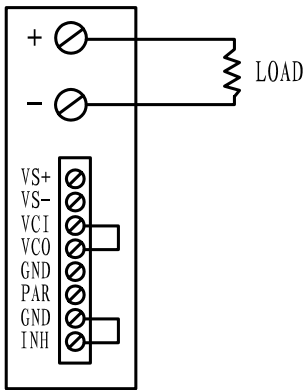
■ Derating Curve



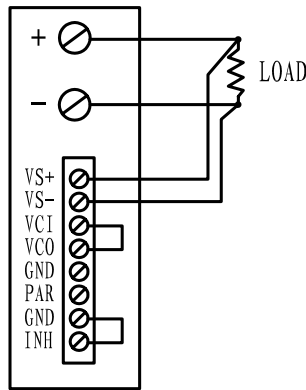
■ External DC Control VS Output Voltage



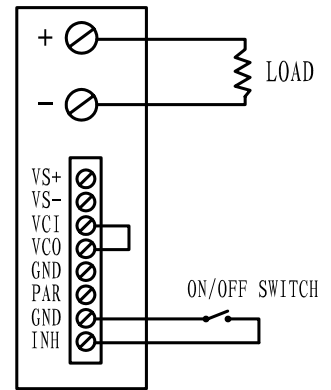
■ Control Terminal Instruction Manual:



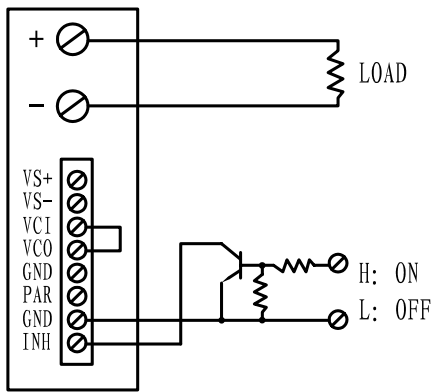
USING INTERNAL VOLTAGE CONTROL



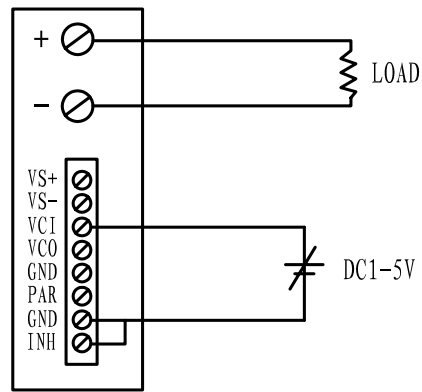
REMOTE SENSING



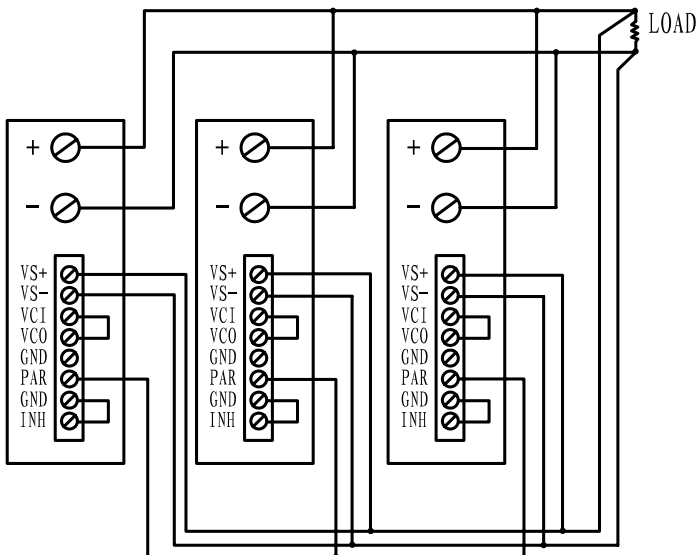
ON/OFF CONTROL BY SWITCH



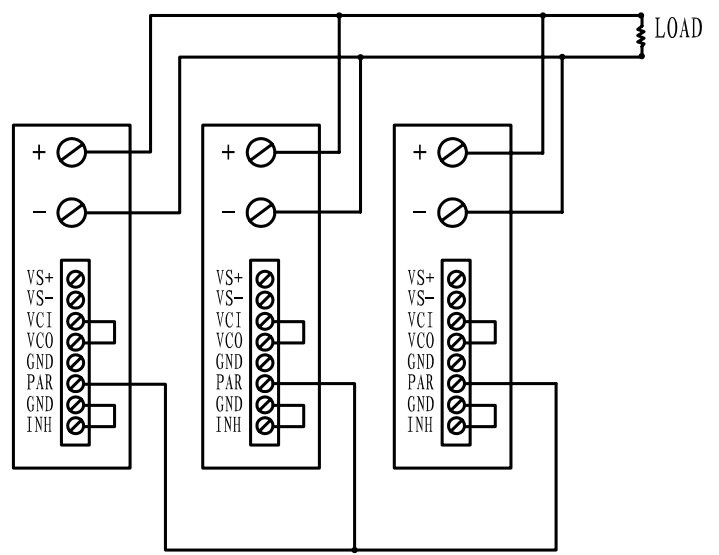
ON/OFF CONTROL BY TRANSISTOR



OUTPUT VOLTAGE ADJUST WITH DC1-5V



PARALLEL OPERATION WITH REMOTE SENSING



PARALLEL OPERATION